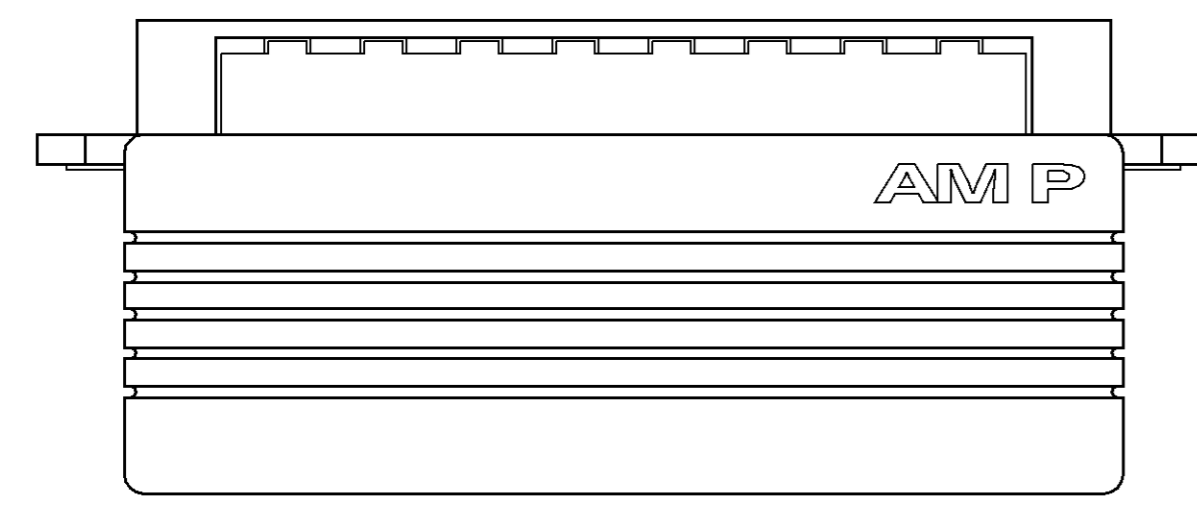
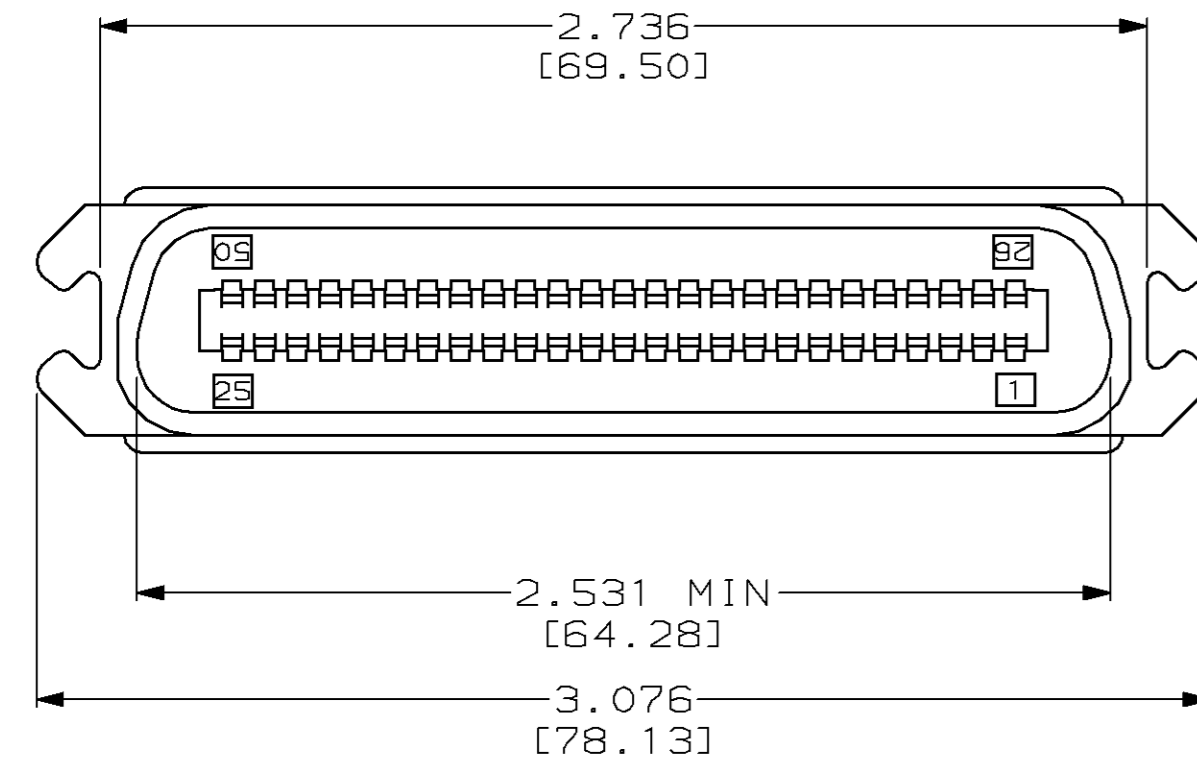
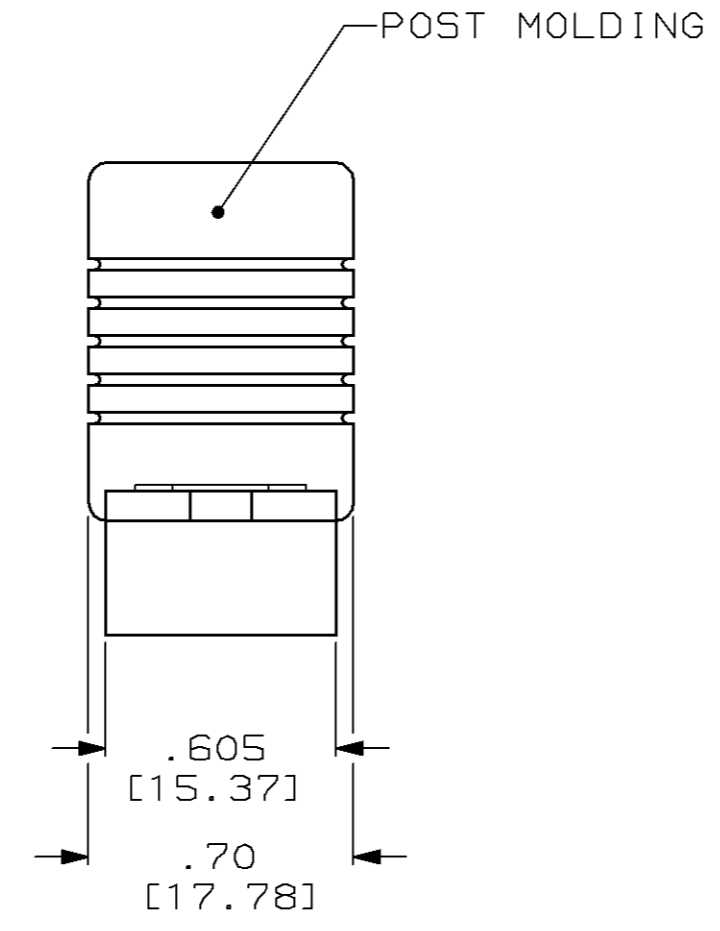
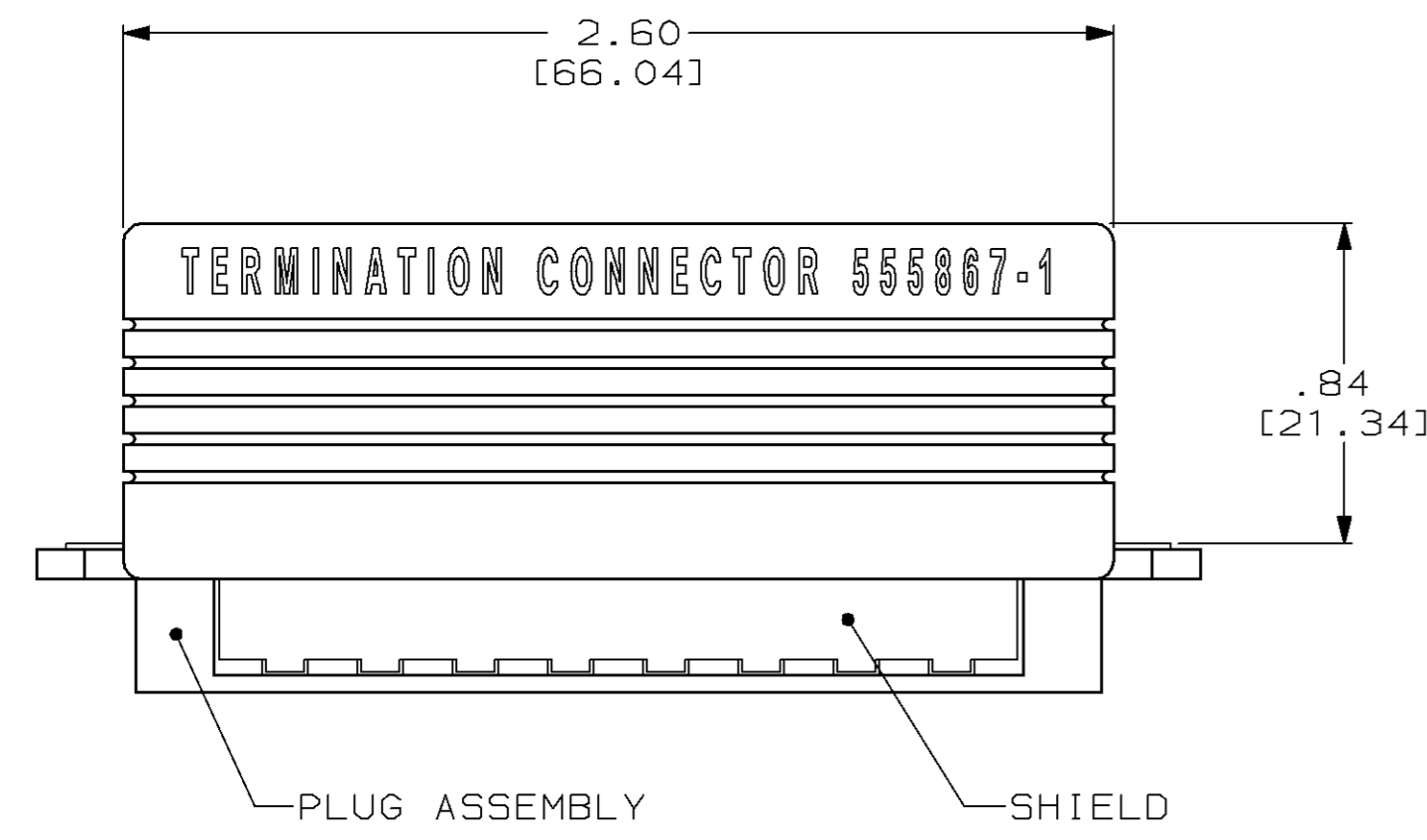
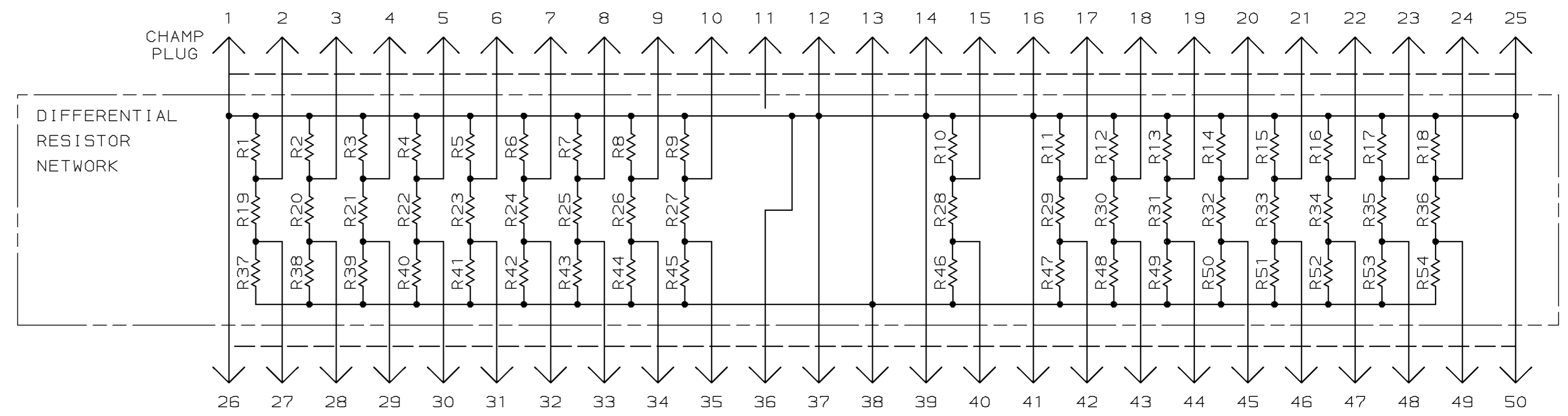


LOC		DIST		P		F		ZONE		LTR		REVISIONS		DATE	APPD	
BD	62												0	RLSD; NPR C89-163	11/27/89	JW
													A	REV PER EC 0020-0847-94	07/28/94	SB



- 1 MATERIAL:
 HOUSING- POLYPHENYLENE, BLACK.
 SHIELD- BRIGHT NICKEL PLATED CARBON STEEL.
 TERMINALS- PHOS BRONZE PLATED WITH .000030 [0.76μm] MINIMUM GOLD ON MATING SURFACE OVER .000050 [1.27μm] MINIMUM THICK NICKEL UNDERPLATE.
 POST MOLDING COMPOUND- PVC, BLACK.
- 2 ALL DIMENSIONS SHOWN ARE MAXIMUM UNLESS OTHERWISE SPECIFIED.
- 3 THE CONTACT SURFACE OF THE TERMINALS ARE COATED WITH LUBRICANT.
- 4 TERMINALS LOCATED ON .085 [2.16] CENTERS.
- 5 UNLESS OTHERWISE SPECIFIED RESISTOR VALUES ARE IN OHMS.
 R1 - R18, R37 - R54: 330Ω, ±5%, .10W
 R19 - R36: 150Ω, ±5%, .10W
- 6 DIMENSIONS IN BRACKETS [] ARE IN MILLIMETERS.



ELECTRICAL SCHEMATIC

DO NOT SCALE PRINT. UNLESS SPECIFIED DIMENSIONS IN INCHES [mm]		DR 11-27-89 JOEL H. WOOTEN		555867-1 PART NO	
TOLERANCES ON: 2 PLC DEC ± 3 PLC DEC ± ANGLES ±		CHK 1-16-90 B. FOX		AMP INCORPORATED Harrisburg, Pa. 17105	
MATERIAL		APPD 1-16-90 R. McCRAW		NAME PLUG ASSEMBLY, TERMINATOR, DIFFERENTIAL, 50 POSITION, SHIELDED, CHAMP®	
FINISH		APPD 1-16-90 J. WILKERSON		SIZE D 00779	
WEIGHT		PRODUCT SPEC		CAGE CODE 00779	
		APPLICATION SPEC		DRAWING NO 555867	
				SCALE 2:1	
				SHEET 1 OF 1	